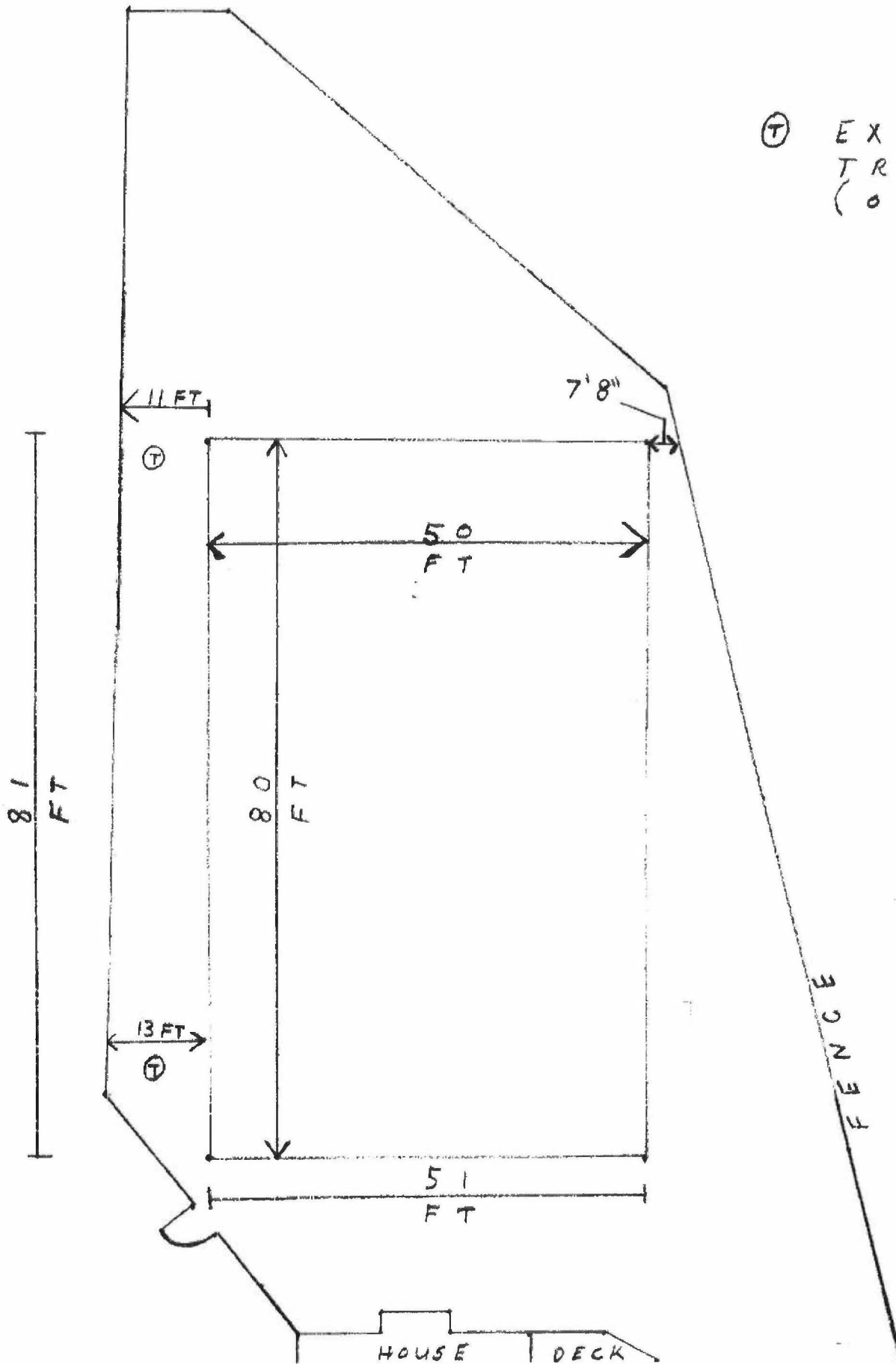




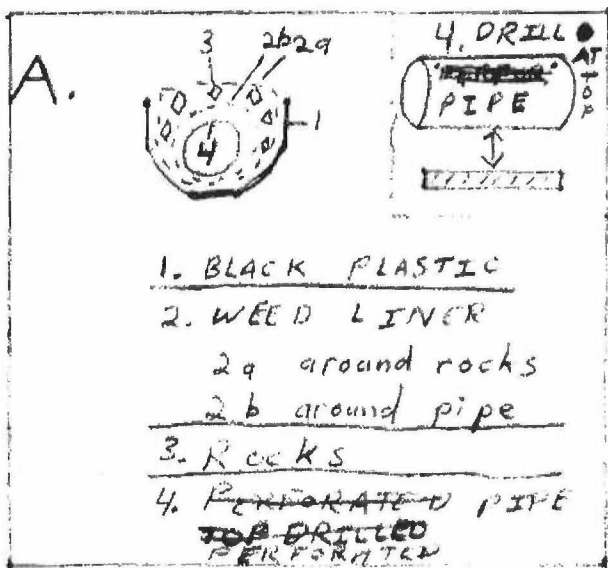
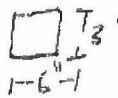
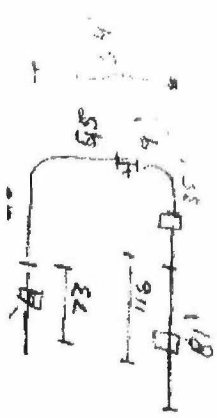
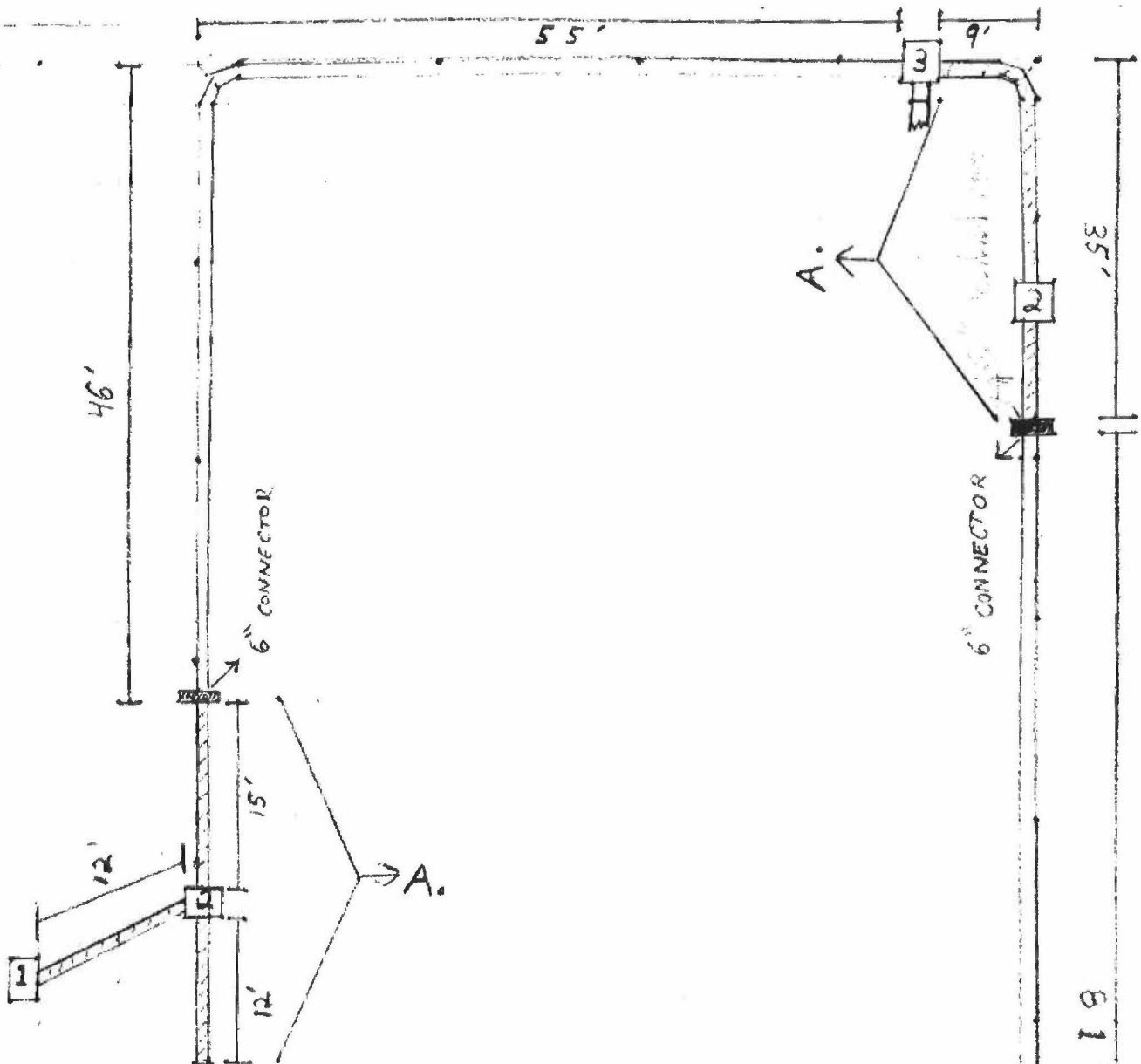
SAND PLAY AREA DESIGN

BAKER'S

230 W SMOKETREE TER



Ⓣ EXISTING
TREE
(ONLY 2)



- 1 20" DRAIN
- 2 CATCH BASIN
- 3 6" X 6" TEE w/ 4" X 6" STRT CON + 6" SOLID PIPE

- PERFORATED PIPE
- SOLID PIPE

35'
81'

BAKER'S

230 W. SMOKE TREE TER

A. SAND

B. DRAIN
ROCKS

C. DRAIN
FABRIC

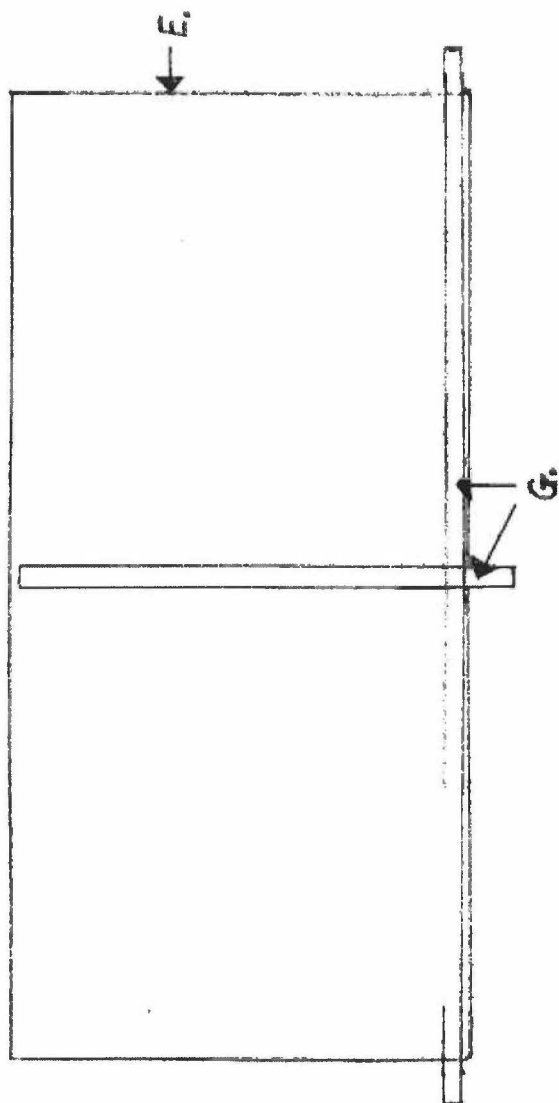
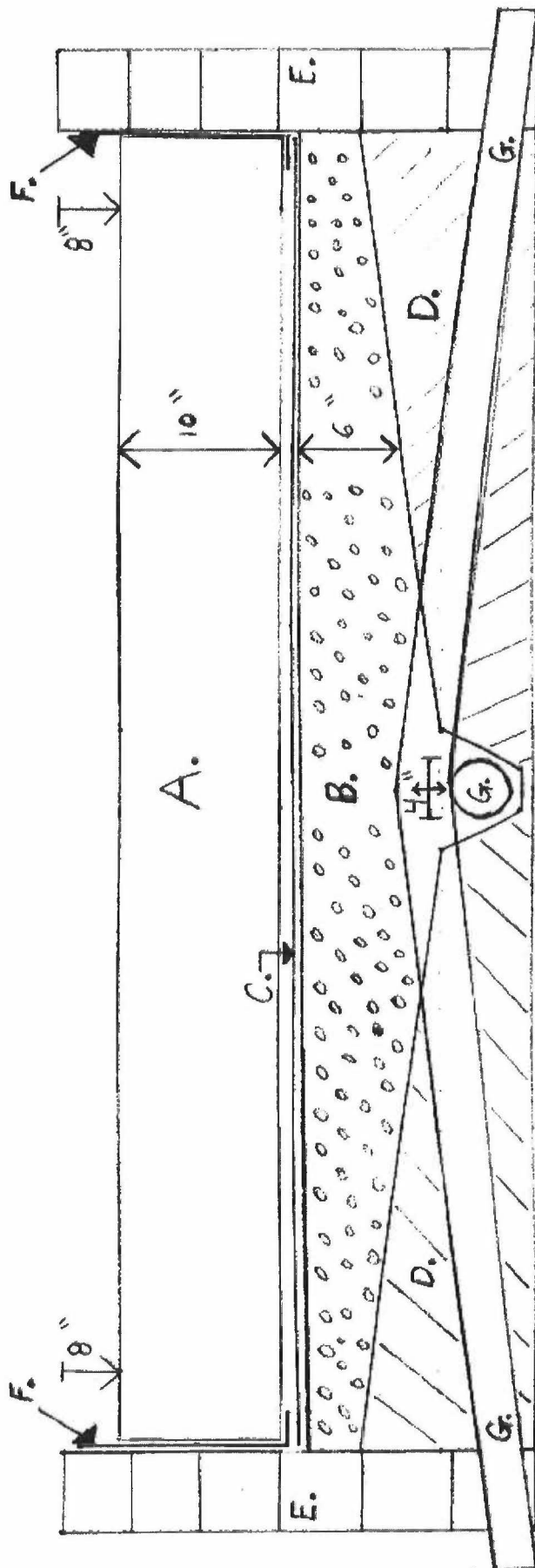
D. SOIL (PRE-EXIST)

E. BORDER
WOOD

F. PLASTIC

G. DRAIN
PIPE

SIDE VIEW



TOP VIEW