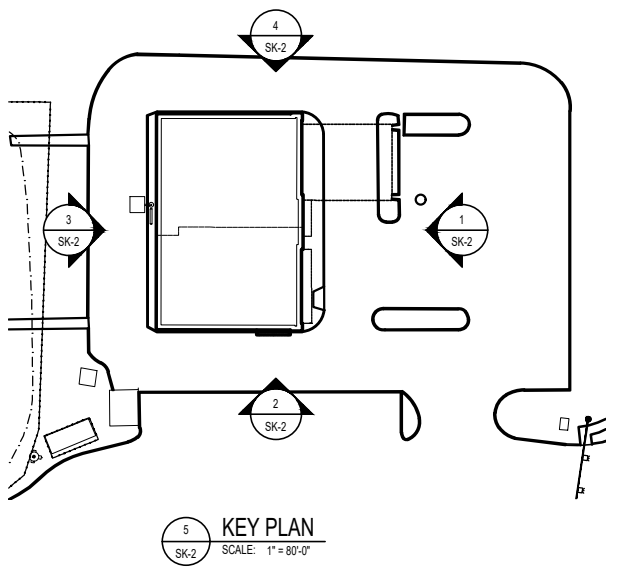


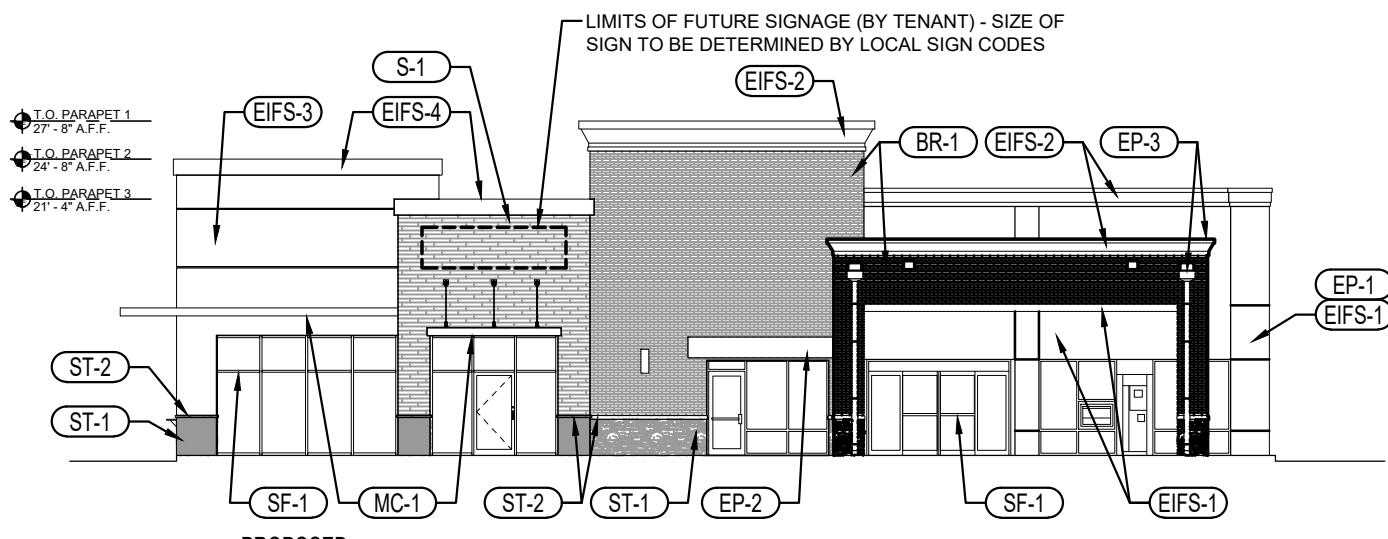
FINISH SCHEDULE - PROPOSED

BR-1	THIN BRICK VENEER - OWENSBORO COLOR: "PLATTE CANYON"
EIFS-1	EIFS VENEER - COLOR TO MATCH PANTONE WARM GRAY 3U
EIFS-2	EIFS VENEER - COLOR TO MATCH PANTONE WARM GRAY 1U
EIFS-3	EIFS VENEER - COLOR TO MATCH PANTONE 481 U (BASE MATERIAL)
EIFS-4	EIFS VENEER - COLOR TO MATCH PANTONE 5467 C (ACCENT MATERIAL)
EP-1	EXTERIOR PAINT - COLOR TO MATCH PANTONE WARM GRAY 3U
EP-2	EXTERIOR PAINT - COLOR TO MATCH BENJAMIN MOORE 295-10 ELECTRIC ORANGE
EP-3	METAL COPING - COLOR TO MATCH PAC-CLAD "SANDSTONE"
MC-1	PRE-FINISHED ALUMINUM CANOPY - FINISH COLOR 'BLACK'
S-1	CEMENTITIOUS PLANK SIDING - FINISH COLOR TO MATCH PANTONE 462 C (BASE MATERIAL)
SF-1	STOREFRONT SYSTEM - FINISH COLOR 'BLACK'
ST-1	CULTURED STONE LEDGESTONE VENEER - FINISH COLOR 'ECHO RIDGE' (ACCENT MATERIAL)
ST-2	CULTURED STONE WATER TABLE - FINISH COLOR 'TAUPE' (ACCENT MATERIAL)

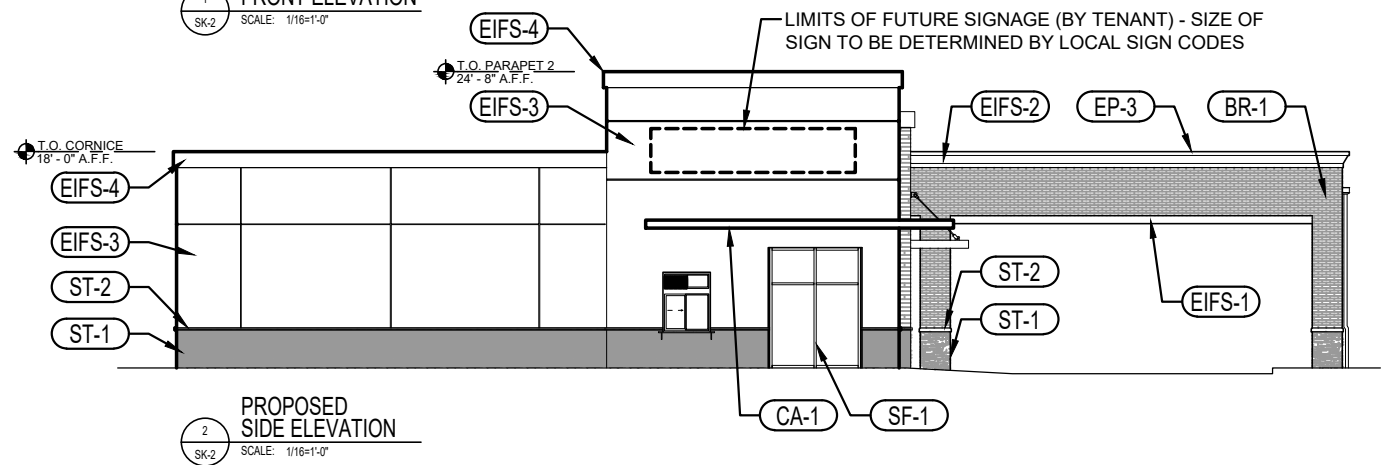


RECEIVED
RZ-20-006
AUG 11 2020

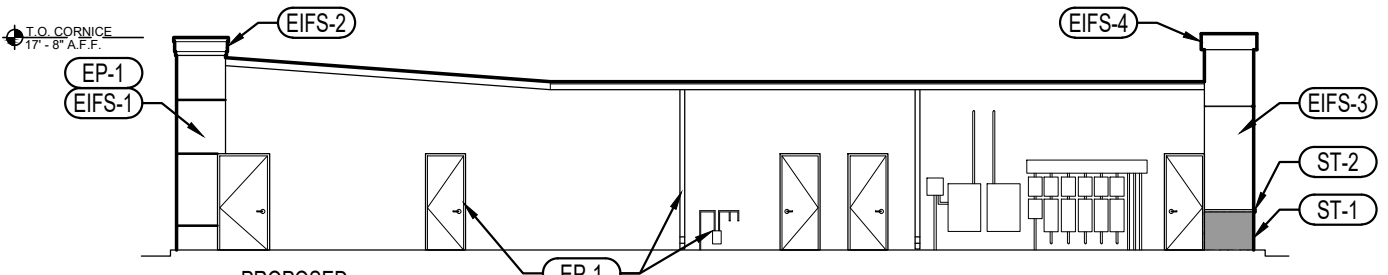
City of Johns Creek
Community Development



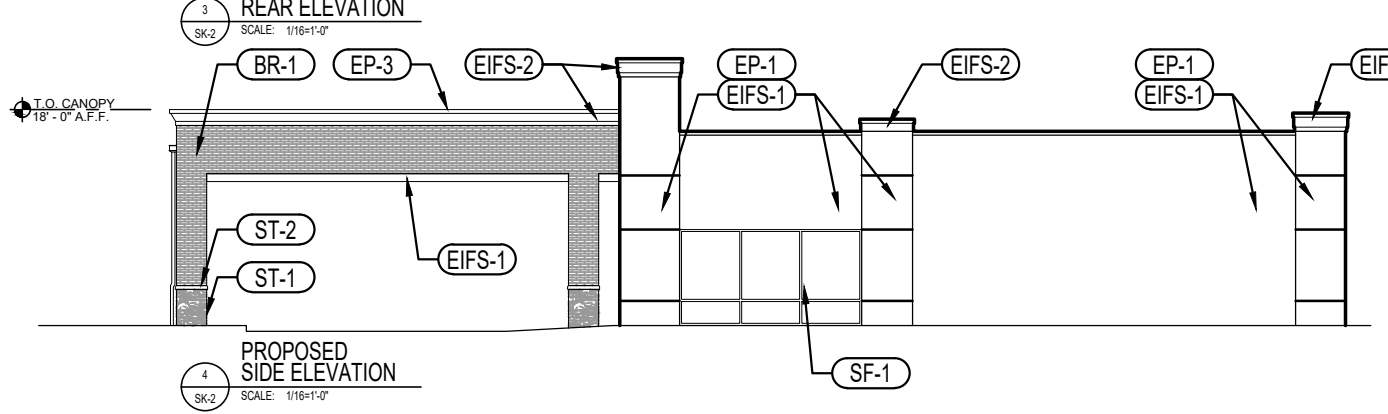
BUILDING MATERIAL PERCENTAGES	
CATEGORY	PERCENTAGE
BASE MATERIALS	90%
ACCENT MATERIALS	10%



BUILDING MATERIAL PERCENTAGES	
CATEGORY	PERCENTAGE
BASE MATERIALS	86%
ACCENT MATERIALS	14%



BUILDING MATERIAL PERCENTAGES	
NO CHANGE - EXISTING TO REMAIN	



BUILDING MATERIAL PERCENTAGES	
NO CHANGE - EXISTING TO REMAIN	

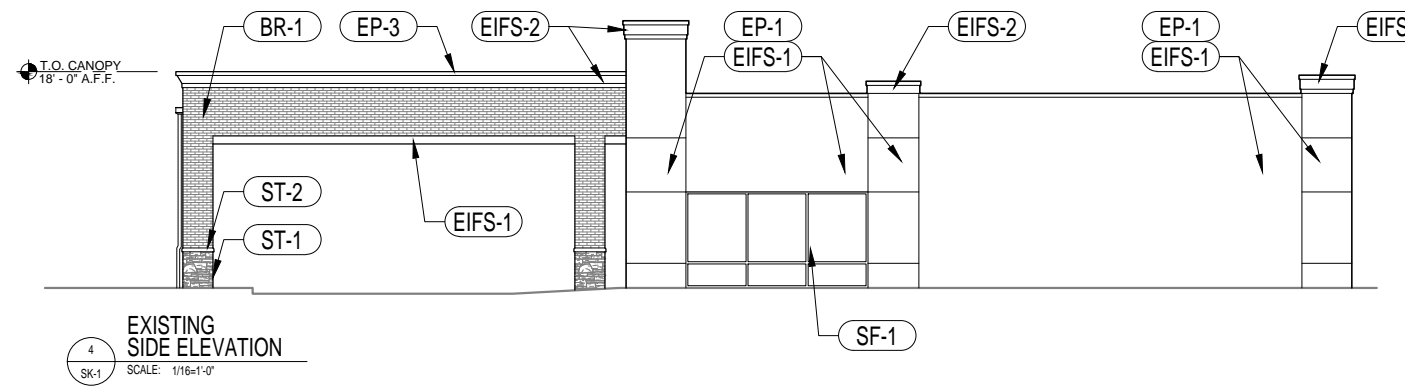
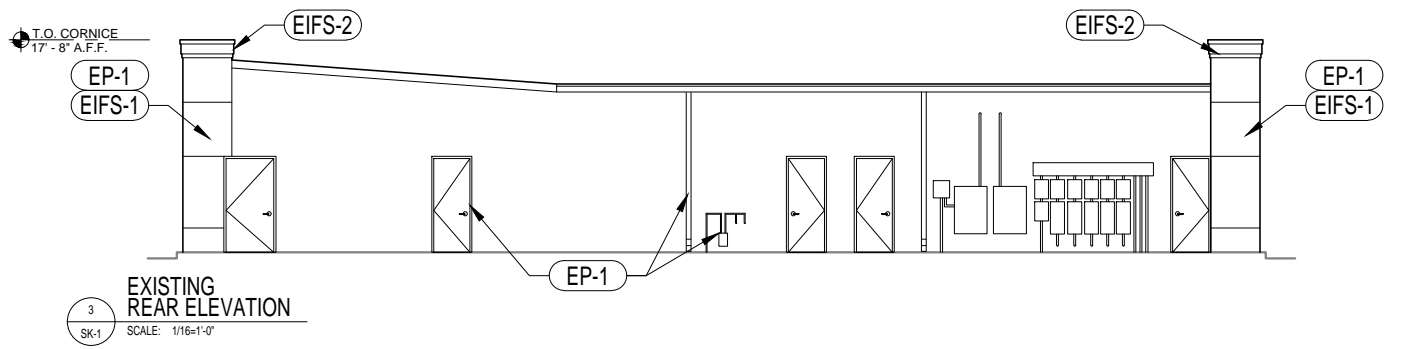
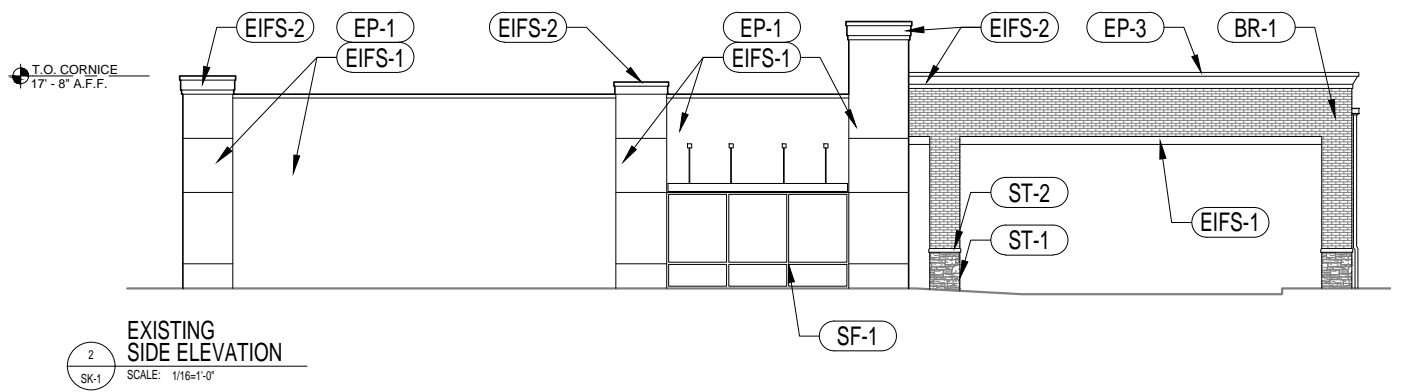
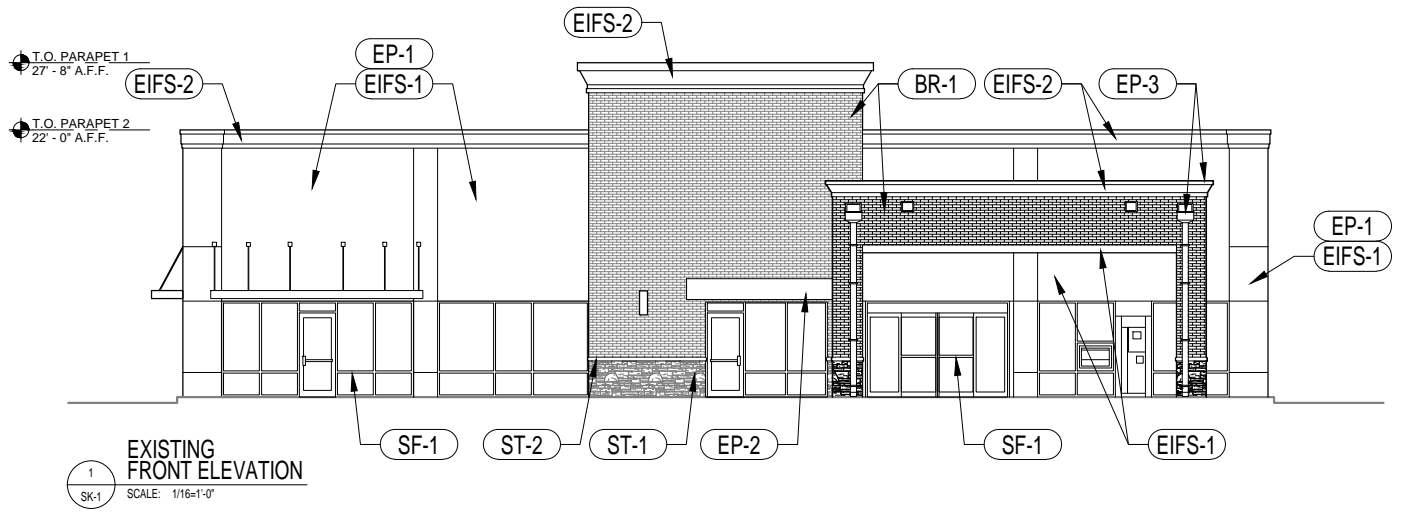
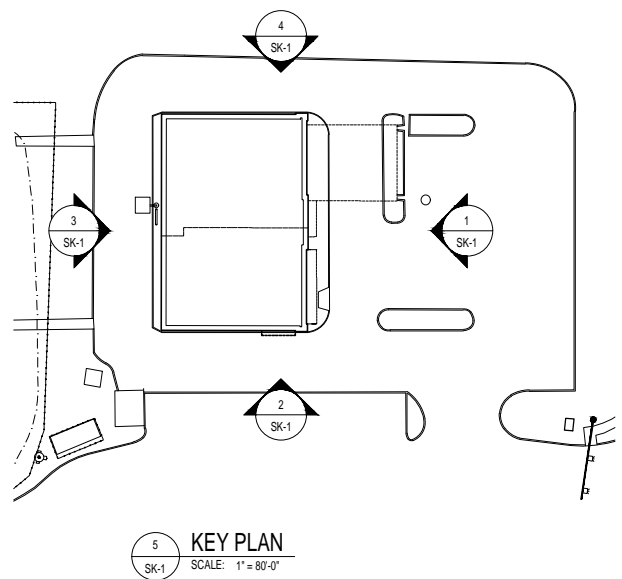


MARKET AT HAYNES BRIDGE
JOHNS CREEK, GA

JOB NUMBER: 2K15202 | DATE: 08.11.2020 | BY: MJM / BAR
DRAWING: SK-2
PROPOSED EXTERIOR ELEVATIONS



FINISH SCHEDULE - EXISTING	
BR-1	THIN BRICK VENEER - OWENSBORO COLOR: "PLATTE CANYON"
EIFS-1	EIFS VENEER - COLOR TO MATCH PANTONE WARM GRAY 3U
EIFS-2	EIFS VENEER - COLOR TO MATCH PANTONE WARM GRAY 1U
EP-1	EXTERIOR PAINT - COLOR TO MATCH PANTONE WARM GRAY 3U
EP-2	EXTERIOR PAINT - COLOR TO MATCH BENJAMIN MOORE 295-10 ELECTRIC ORANGE
EP-3	METAL COPING - COLOR TO MATCH PAC-CLAD "SANDSTONE"
SF-1	STOREFRONT SYSTEM - FINISH COLOR 'BLACK'
ST-1	CULTURED STONE LEDGESTONE VENEER - FINISH COLOR 'ECHO RIDGE'
ST-2	CULTURED STONE WATER TABLE - FINISH COLOR 'TAUPE'



RECEIVED
RZ-20-006
AUG 11 2020
City of Johns Creek
Community Development